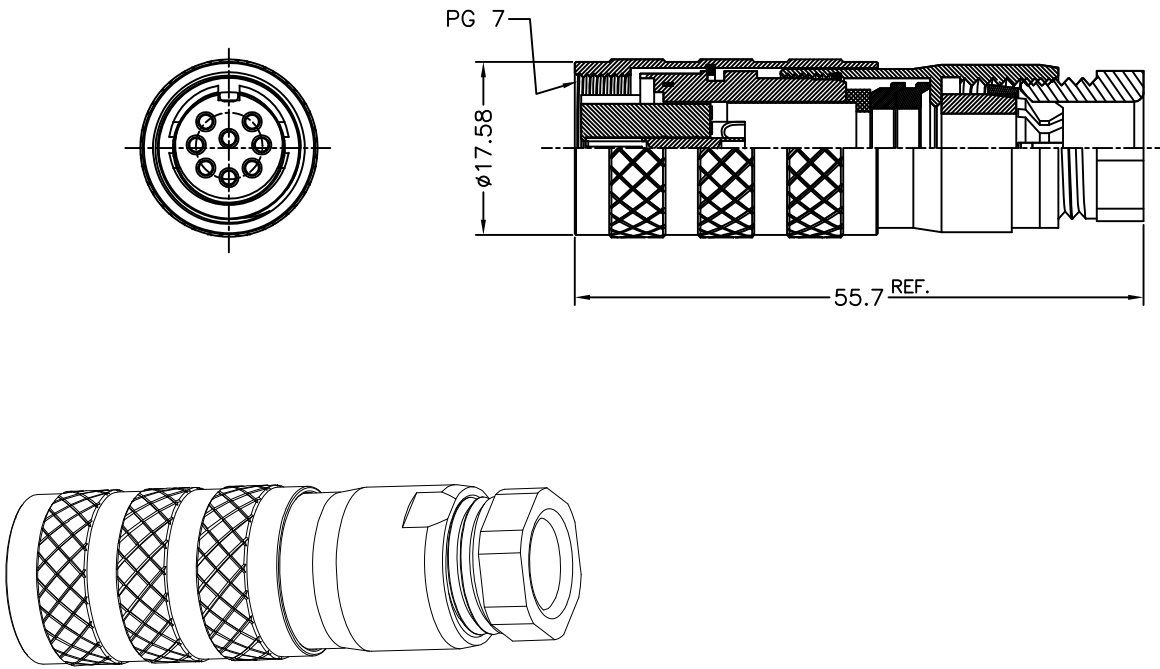


REV	DESCRIPTION	ECN NO.	NAME	DATE

NOTICE:	ALL PARTS MUST MEET TO RoHS REQUIREMENTS
RoHS	<input checked="" type="checkbox"/>

REMARKS:
 1. CONNECTOR ASSEMBLING COMPLY WITH IEC 61076-2-101
 2. CONNECTOR PROTECTION LEVELS MEET IP40



MATERIALS AND PLATING		UNIT: MICRO-INCHES
CONTACT POINT	TIN BRONZE	GOLD PLATING/COPPER
INSULATOR	PA6T	N/A
SHELL	COPPER	NICKEL PLATING /COPPER

ELECTRICAL CHARACTERISTICS	
Voltage rating	100 V(rms)
Current rating	5 A
Contact resistance	≤5 mΩ
Dielectric withstanding voltage	1200 V

ENVIRONMENTAL CHARACTERISTICS	
Temperature range	-40°C - +100°C
Level of waterproof	IP67/IP65

(MECHANICAL CHARACTERISTICS)	
Durability	≥ 500 cycles
Insertion force	60 N
Withdrawal force	8.8N Min, 48N Max

ISSUE	0	SCALE	2/1	PART NO.	-
				APPROVED	
<small>UNLESS OTHERWISE SPECIFIED 1) EDGES C0.15 MAX. 2) REMOVE ALL BURRS 3). SURFACE ROUGHNESS Ra1.6 4). UNITS: mm 5). DIMENSIONS DECIMALS .x ±0.1 .xx ±0.2</small>				CHECKED	
<small>TOLERANCES ANGLES ±2°</small>				DRAWN	
				DATE	2013-11-06

TITLE	AISG 8-PINS FEMALE CONNECTOR FOR CABLE
DRAWING NO.	AGF-CSCGP008-001
Company Website:	http://www.slkcorp.com

It is exclusively in written agreements that we provide our customers with warrants and representations as to the technical contained specifications and/or the fitness for any particular purpose. The facts and figures herein are carefully compiled to the best of our knowledge, but they are intended for general informational purposes only.